

RACE TECH SHOCK GOLD VALVE – Adapter Nut

<IPM SMGV AdapterNut.doc> © 9-23-19

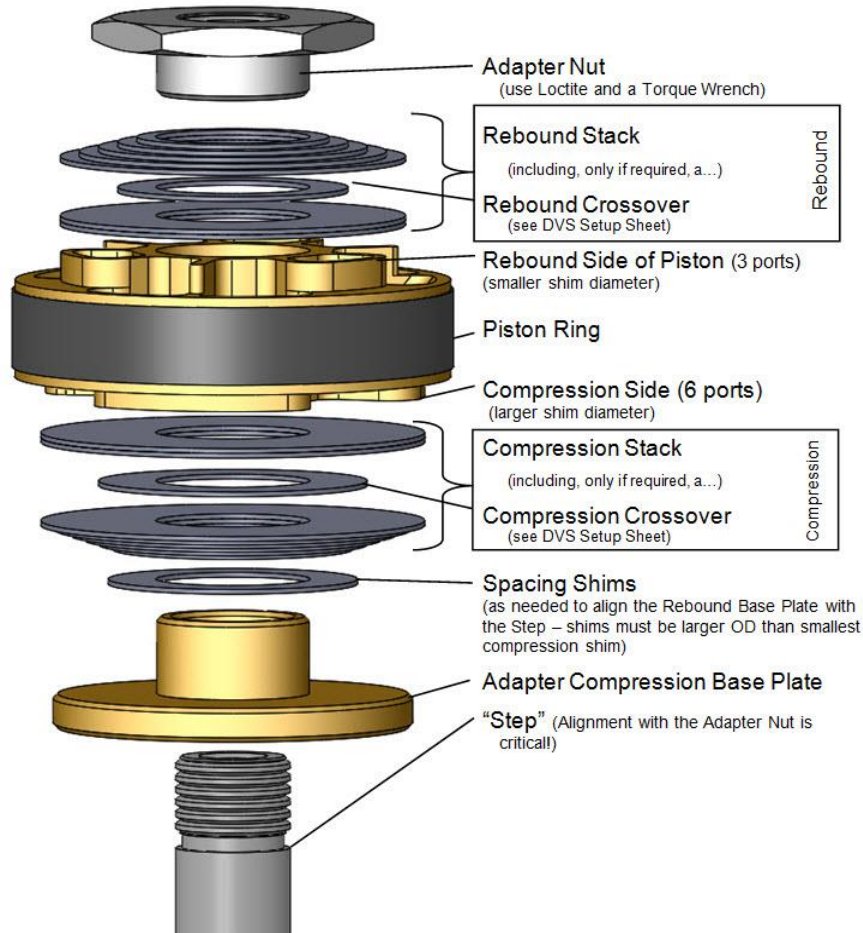
Go to racetech.com...

DVS Custom Setup Sheet – see DVS Valving Search

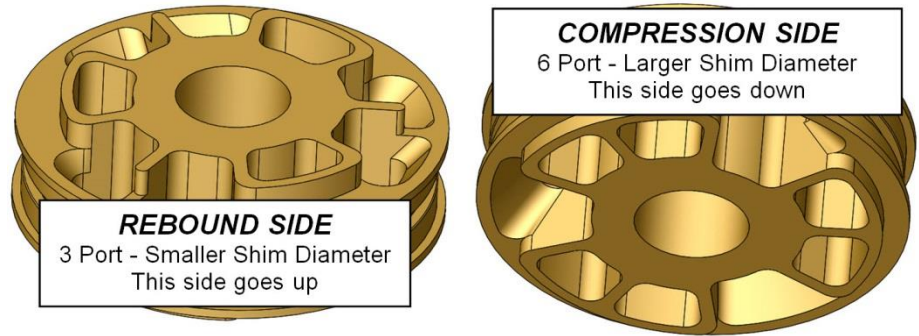
DVS Shock Access Code – attached

Instructions – see your bike in Product Search

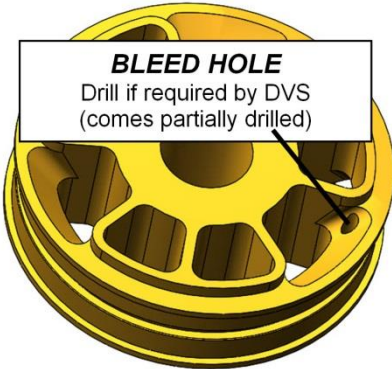
Note: You will have extra shims



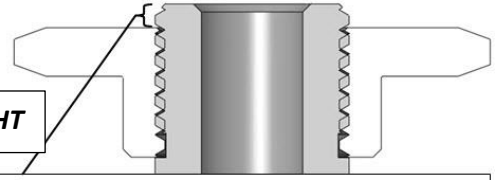
PISTON ORIENTATION – make sure the correct side is



BLEED HOLE



STACK HEIGHT



With the valving off the Shaft, run the Nut down all the way until it runs out of thread. Measure the distance from the top of the Nut to the end of the Shaft.

Once the Valving Stack is installed, the Nut must be at least 1mm higher.